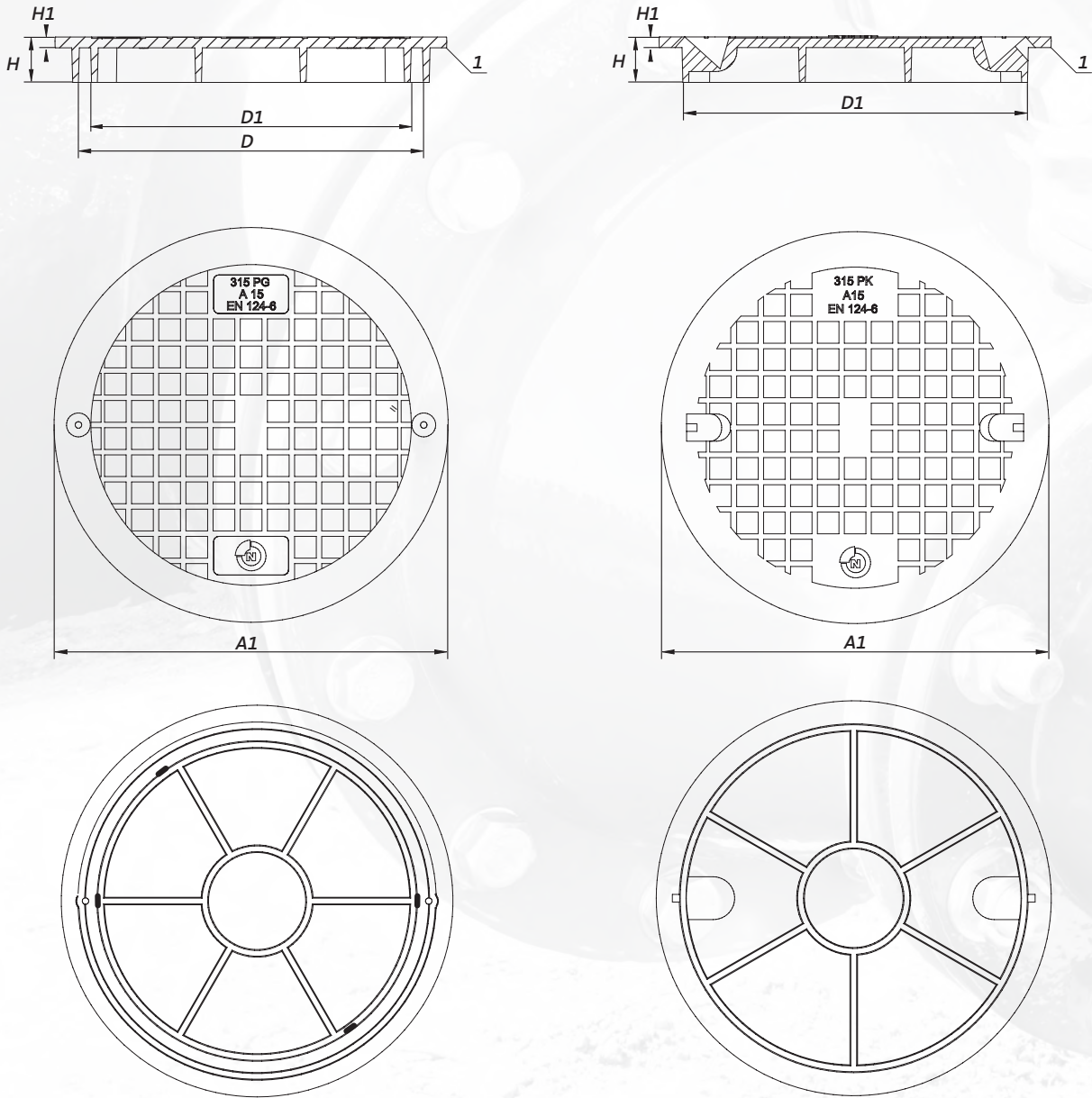


PP cover for smooth and corrugated 315 pipe



PP cover is used as a top part of inspection chamber in places intended only for pedestrian and bicycle traffic.

No.	Description	Material
1.	Body	PP

The cover can be attached to a smooth or corrugated pipe DN315 with the screws.

Type	Load	Class	A1	D	D1	H	H1	Weight
Smooth 315 pipe	1,5 T	A 15	360	316	296	42	10	1,40
Corrugated 315 pipe	1,5 T	A 15	360	–	316	42	10	1,30

Norm: PN-EN 124-6