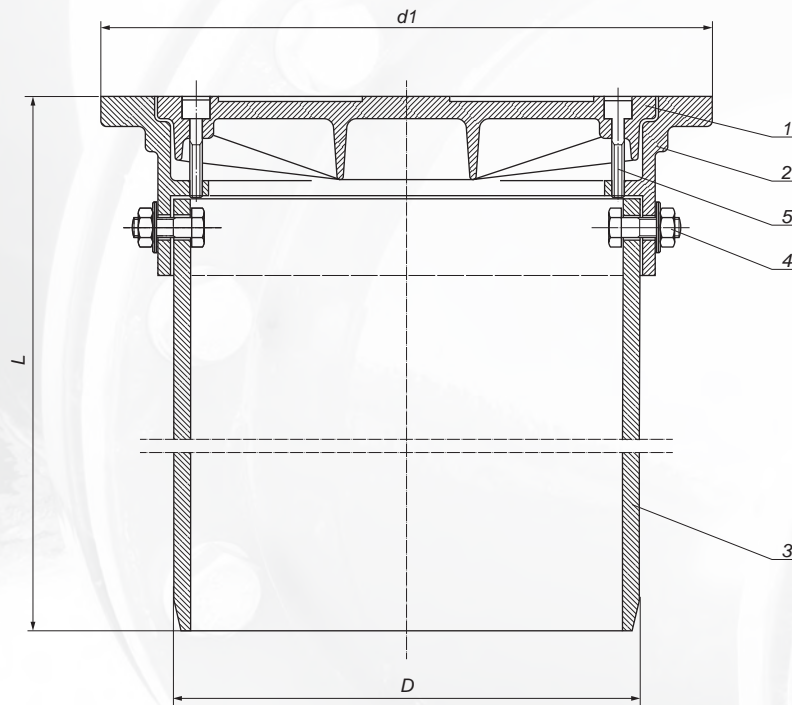


Telescope 315 with cover and grate



It is used as a top of inspection chamber size 315, 400 and 425.
 The telescope is mounted on a rising pipe:
 corrugated 315, smooth 400, corrugated 400, corrugated 425 OD
 and ID by the rubber adaptors:
 OW 315/315, GW 315/400, DW 315/400, WK 315/400,
 ZW 315/425, ZWN 315/425.

No.	Description	Material
1.	Lid*	EN-GJL-250
2.	Body	EN-GJL-250
3.	Pipe	PVC 315
4.	Screw, pad, nut	Galvanized steel 8.8 class/ Stainless steel A2
5.	Allen screw	Galvanized steel 8.8 class/ Stainless steel A2

Material: cast iron EN-GJL-250, PN-EN 1561:2012
 * C 250, D 400 class - ductile iron EN-GJS-500-7, PN-EN 1563:2018.
 No. 1., 2. bitumen paint.

Rodzaj	Obciążenie	Klasa	D	L	d1	Weight
Właz	1,5 T	A 15	315	500	355	16,00
	12,5 T	B 125	315	500	355	23,00
	25 T*	C 250	315	500	355	24,00
	40 T*	D 400	315	500	355	24,00
Wpust	1,5 T	A 15	315	500	355	15,50
	12,5 T	B 125	315	500	355	22,50
	25 T*	C 250	315	500	355	23,50
	40 T*	D 400	315	500	355	23,50

Different length can be made according to the order.
 B 125, C 250, D 400 class available also with round body.
 Norm: PN-EN 124-2