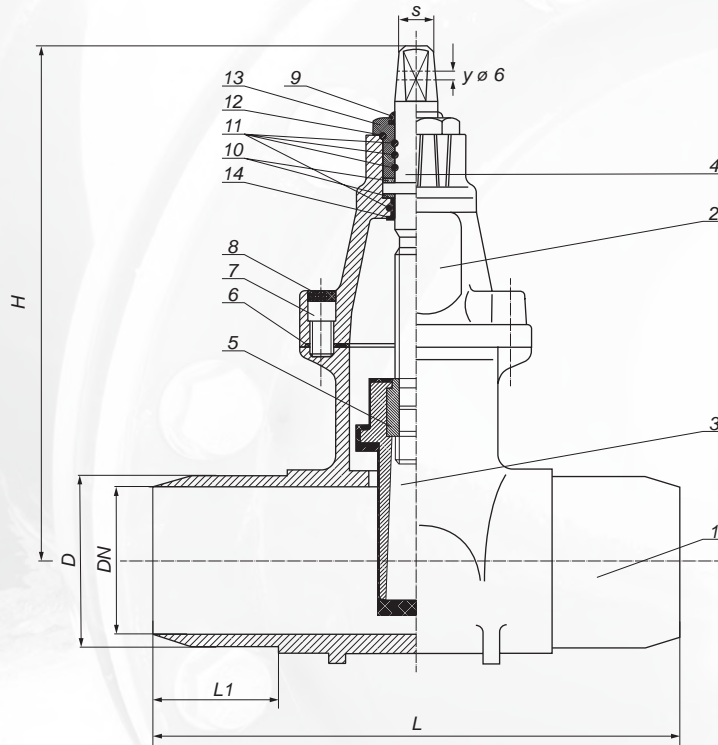


Bare gate valve PN 10



No.	Description	Pcs.	Material
1.	Body	1	EN-GJL-250
2.	Cover	1	EN-GJL-250
3.	Rubberized wedge	1	EN-GJL-250/EN-GJS-500-7/ EPDM/NBR
4.	Spindle	1	Stainless steel 2H13
5.	Nut	1	Brass MO59
6.	Cover gasket	1	EPDM/NBR
7.	Allen screw	4	Galvanized steel 8.8/ Stainless steel A2
8.	Screw shield	4	Glue/paraffin
9.	Lip seal	1	EPDM/NBR
10.	Bearing	2	Tarnamid
11.	Spindle O-ring	4	EPDM/NBR
12.	Choke O-ring	1	EPDM/NBR
13.	Choke	1	Brass MO59
14.	Locking sleeve	1	Tarnamid

It is used to cut off flow of chemically inert liquids of temperature up to 70°C in pipelines and installations.

Coating: poliester paint min. 250 µm
Nominal pressure: 1,0 MPa; PN 10

Requirements and inspection according to PN-EN 1074-1,2:2002

Option to exchange O-rings under pressure on a working pipeline.

DN	D	L	L1	H	s	Weight
80	90	280	85	280	17	12,00