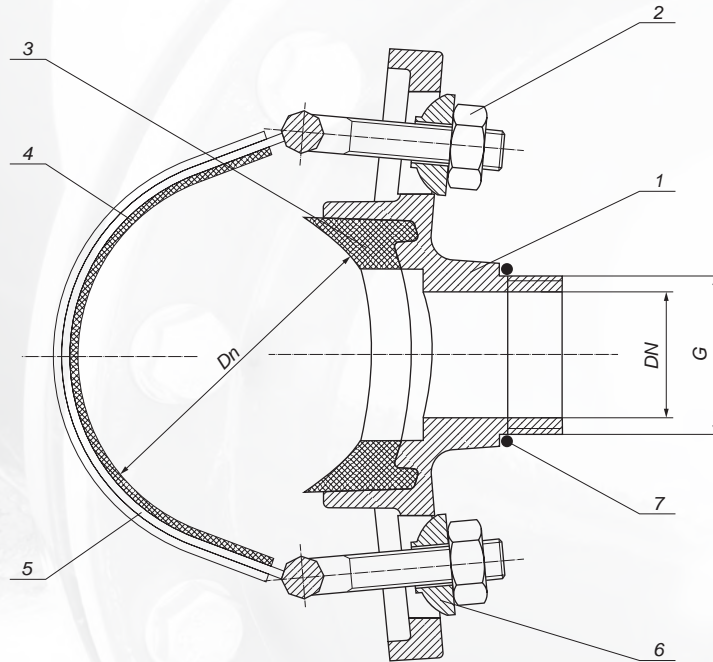


## Threaded saddle NE (for cast iron, AC, steel pipes) ductile iron PN 10/16



It is used to make home connections to the network water supply pipe made of: cast iron, AC, steel.  
The saddle is used for making connections with external threaded outlet.

Coating: poliester paint min. 250  $\mu\text{m}$   
Nominal pressure: 1,0/1,6 MPa, PN 10/16

No.	Description	Pcs.	Material
1.	Upper saddle NZE	1	EN-GJS-500-7
2.	Nut	2	Stainless steel A4
3.	Saddle gasket	1	EPDM/NBR
4.	Saddle lining	1	EPDM/NBR
5.	Steel saddle	1	Stainless steel
6.	Ball pad	2	Stainless steel/HDPE
7.	O-ring	1	EPDM/NBR

Dn	G	DN	Weight
75-83	2"	50	1,70
89-104			1,90
107-130			1,90
124-144			1,90
148-160			2,10
159-178			2,10
179-200			2,60
219-238			2,80
248-275			3,40
287-307			3,50
315-327			3,70
345-371			3,60