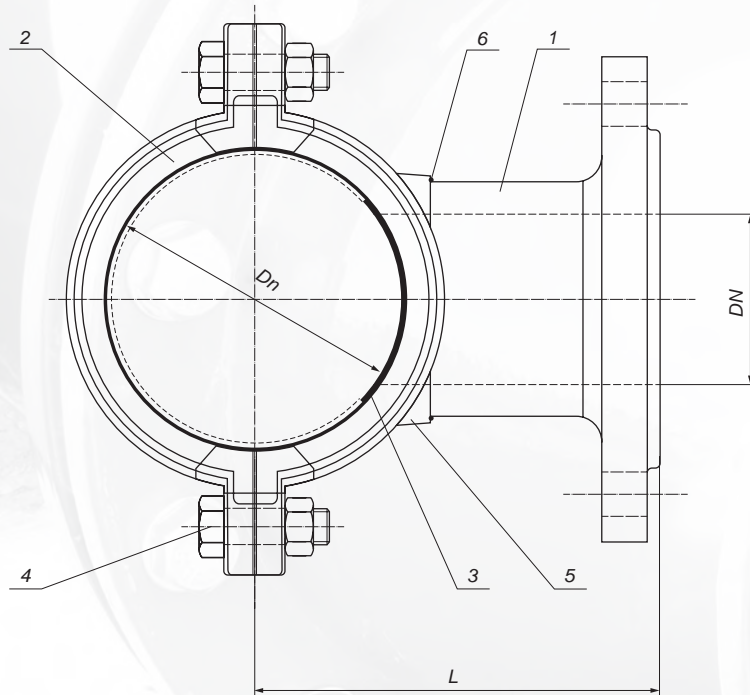


Flanged saddle NKP for PE and PVC pipes ductile iron PN 10/16



It is used for connecting home installations
to the water supply network made of PE and PVC pipes

Material: ductile iron EN-GJS-500-7, PN-EN 1563:2018

Flange connection: PN-EN 1092-2:1999

Coating: poliester paint min. 250 μm

Nominal pressure: 1,0/1,6 MPa, PN 10/16

* It is possible to make a clamp with full rubber lining.

No.	Description	Pcs.	Material
1.	Body	1	EN-GJS-500-7
2.	Lower saddle	1	EN-GJS-500-7
3.*	Saddle gasket	1	EPDM/NBR
4.	Screw, pad, nut	4	Galvanized steel 8.8 class/ Stainless steel A2/A4
5.	Upper saddle	1	EN-GJS-500-7
6.	O-ring	1	EPDM/NBR

Dn	DN	L	Weight
90	50	120	4,40
110		125	4,95
125		140	5,35
160		150	6,70
225		185	8,45
110	80	160	8,50
160		190	12,70
160		200	13,00