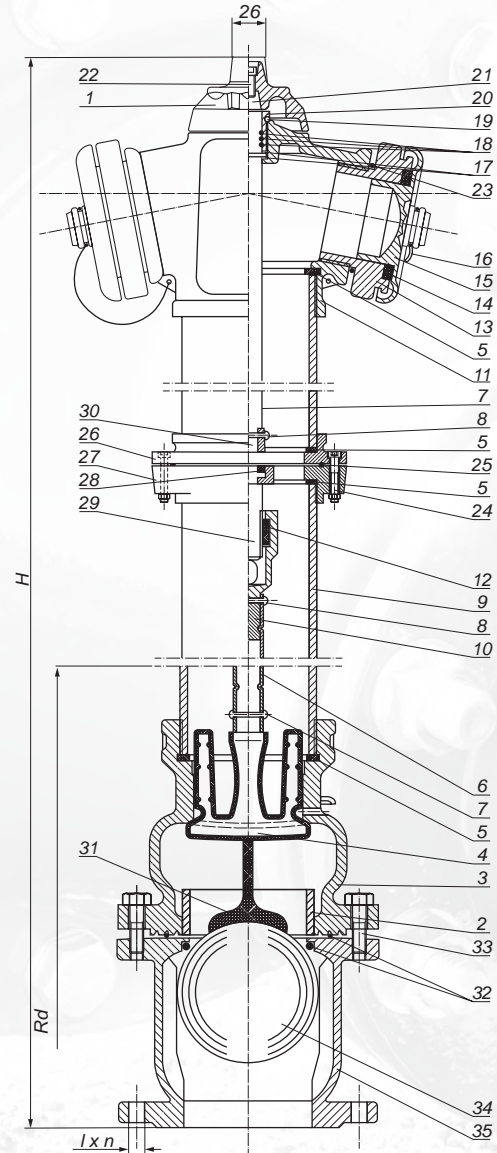


Overground hydrant DN 80 PN10 and ductile iron PN10/16 double closure protected with a ball - breakable

| No. | Description | Pcs. | Material |
|-----|-----------------------|------|---|
| 1. | Knob | 1 | EN-GJL-250/EN-GJS-500-7 |
| 2. | Safety ring | 1 | EN-GJL-250/EN-GJS-500-7 |
| 3. | Chamber | 1 | EN-GJL-250/EN-GJS-500-7 |
| 4. | Piston | 1 | EN-GJS-500-7/EPDM/NBR |
| 5. | Gasket | 4 | EPDM/NBR |
| 6. | Sliding spindle down | 1 | Stainless steel A2/1.4301 Steel P235 |
| 7. | Sliding spindle up | 1 | Stainless steel 2H13 |
| 8. | Rivet | 3 | Steel St 2/Steel C1006 |
| 9. | Column | 1 | Stainless steel A2/1.4301 Steel P235 EN-GJS-500-7 |
| 10. | Nut casing | 1 | EN-GJS-500-7 |
| 11. | Head | 1 | EN-GJL-250/EN-GJS-500-7 |
| 12. | Nut | 1 | Brass MO59 |
| 13. | Storz coupling | 2 | Aluminum AK11 |
| 14. | Cover gasket | 2 | EPDM/NBR |
| 15. | Cover | 2 | EN-GJL-250/EN-GJS-500-7/ AK11/Polyethylene |
| 16. | Cord | 1 | Steel |
| 17. | Bearing | 2 | Tarnamid |
| 18. | O-ring | 3 | EPDM/NBR |
| 19. | O-ring | 1 | EPDM/NBR |
| 20. | Choke | 1 | Brass MO59 |
| 21. | Spindle | 1 | Stainless steel 2H13 |
| 22. | Allen screw | 1 | Galvanized steel 8.8 class/ Stainless steel A2 |
| 23. | Storz coupling gasket | 2 | EPDM/NBR |
| 24. | Screw, pad, nut | 4 | Stainless steel A2/A4 |
| 25. | O-ring | 1 | EPDM/NBR |
| 26. | Upper flange | 1 | EN-GJS-500-7 |
| 27. | Lower flange | 1 | EN-GJS-500-7 |
| 28. | Middle spindle nut | 1 | Stainless steel 2H13/Brass MO59 |
| 29. | Middle spindle | 1 | Stainless steel 2H13 |
| 30. | Clutch | 1 | EN-GJL-250/EN-GJS-500-7 |
| 31. | Ball pusher | 1 | Stainless steel 2H13 |
| 32. | O-ring | 2 | EPDM/NBR |
| 33. | Screw, pad | 4 | Galvanized steel 8.8 class/ Stainless steel A2 |
| 34. | Ball | 1 | EPDM/NBR |
| 35. | Ball chamber | 1 | EN-GJS-500-7 |



Overground hydrant - double protected; breakable with a nominal diameter of 80 mm for pressure 1,0 and 1,6 MPa with an automatic drainage device in the lower chamber. Intended for drawing water from a general-purpose pipeline with a nominal diameter of 80 mm, water at a temperature up to 70°C and a pressure of 1,0 and 1,6 MPa. Equipped with a ball protection.

Certificate of Conformity CNBOP 1438/CPR/0478
Coating: poliester paint UV resisted, min. 250 µm
Flange connection: PN-EN 1092-2:1999
Nominal pressure: 1,0/1,6 MPa, PN 10/16

Possibility of exchanging head of the hydrant once broken without the need digging out lower part of the hydrant.

| DN | Size | H | Rd | l | n | Weight |
|----|------|--------------|------|----|---|--------|
| 80 | A | 1900 | 1250 | 18 | 8 | 43,00 |
| | B | 2150 | 1500 | 18 | 8 | 46,00 |
| | C | 2450 | 1800 | 18 | 8 | 50,00 |
| | X | as per order | | | | |