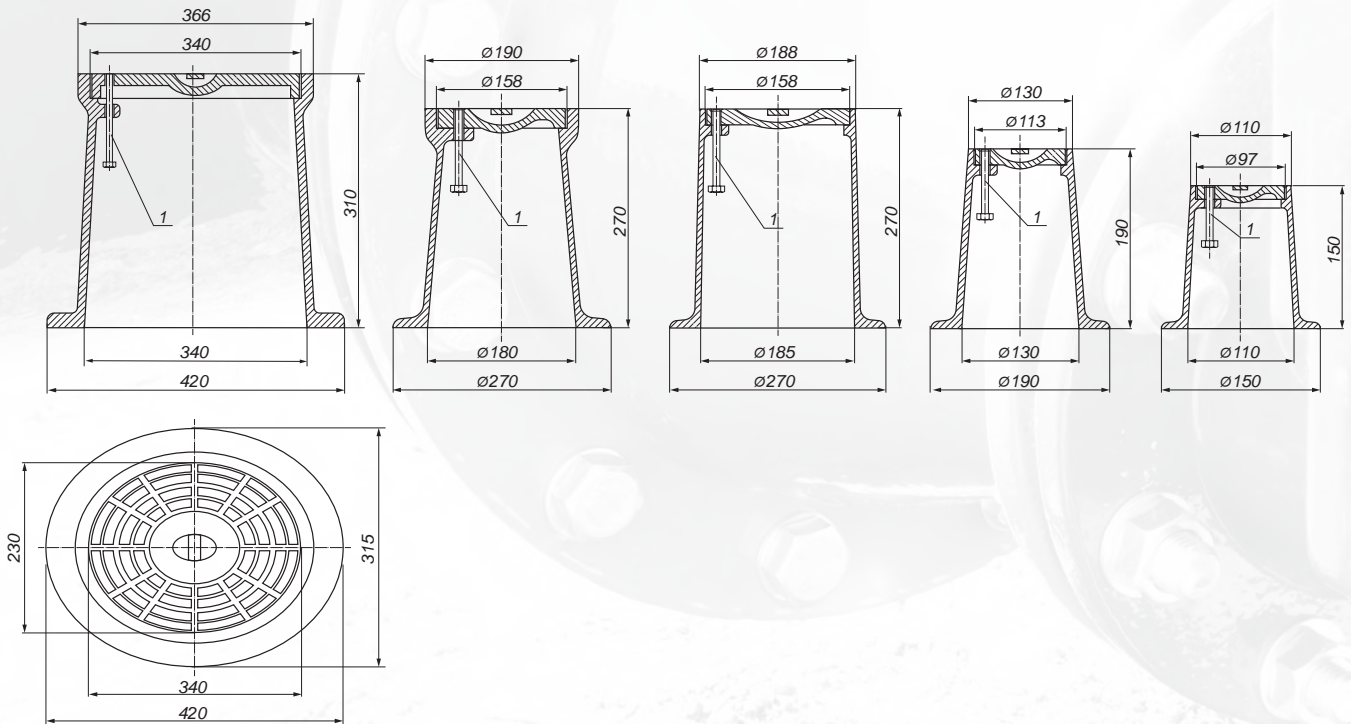


Street box

Material and marking of box covers

<p>cast iron: HYDRANT, GAZ</p> <p>ductile iron: HYDRANT, GAZ</p>	<p>cast iron: W, G, K, without marking</p> <p>ductile iron: W, G, GAZ, GAS, without marking</p>	<p>cast iron: W, G, K, without marking</p> <p>ductile iron: W, G, GAZ, GAS, without marking</p>	<p>cast iron: W</p>	<p>cast iron: W, G, without marking</p>
--	---	---	-------------------------	---



Material:

body and cover - cast iron EN-GJL-250, PN-EN 1561:2012
available with cover made of ductile iron EN-GJS-500-7, PN-EN 1563:2018

Coating: bitumen black paint
* Cover available with a yellow lid.

1) screw – galvanized steel 8.8/stainless steel A2

Street box for valves h-270 acc. to PN-M-74081:1998
Street box for hydrants h-310 acc. to PN-M-74082:1998

Description	Height	Weight
Street box for connector 80	150	3,00
Street box for valve 100	190	5,00
Street box for valve 270*	270	11,00
Street box for valve 270* fig. 4056	270	13,00
Street box for hydrant DN80 and DN100 „NORSON” fig. 4055*	310	32,00