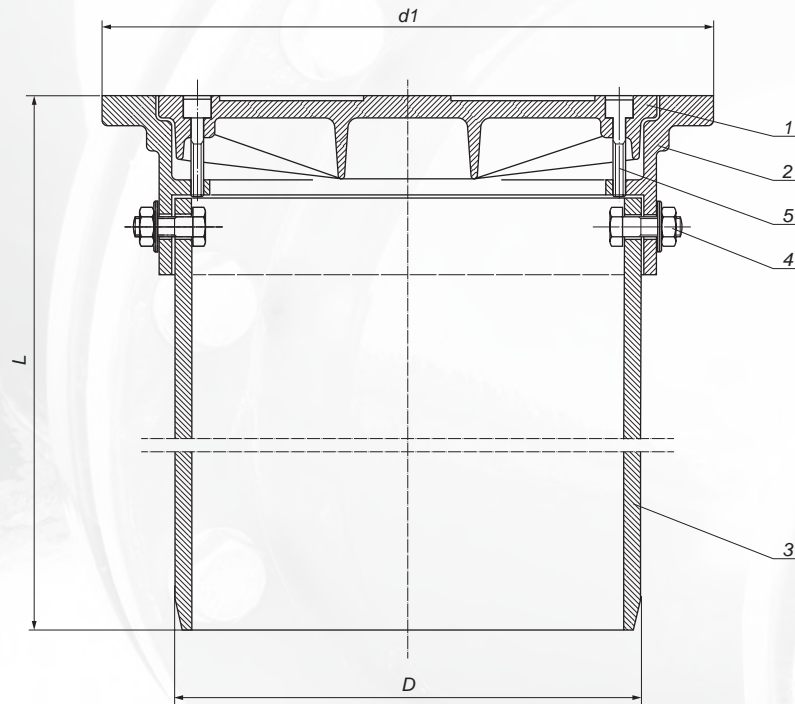


Telescope 425 with cover and grate



It is used as a top of inspection chamber size 425.
The telescope is mounted on a corrugated rising pipe 425 OD and ID,
by the rubber adaptors: KW 400/425, KWN 400/425 and WW 400/425

No.	Description	Material
1.	Lid*	EN-GJL-250
2.	Body	EN-GJL-250
3.	Pipe	PVC 396
4.	Screw, pad, nut	Galvanized steel 8.8 class/Stainless steel A2
5.	Allen screw	Galvanized steel 8.8 class/Stainless steel A2

Material: cast iron EN-GJL-250, PN-EN 1561:2012
* C 250, D 400 class - ductile iron EN-GJS-500-7, PN-EN 1563:2018.
No. 1., 2. bitumen paint.
Norm: PN-EN 124-2

Lid type	Load	Class	D	L	d1	Weight
Cover	1,5 T [#]	A 15	396	500	500	30,00
	12,5 T [#]	B 125	396	500	500	38,00
	25 T [#]	C 250	396	500	500	40,00
	40 T [#]	D 400	396	500	500	40,00
Grate	1,5 T [#]	A 15	396	500	500	29,50
	12,5 T [#]	B 125	396	500	500	37,50
	25 T [#]	C 250	396	500	500	39,50
	40 T [#]	D 400	396	500	500	39,50

[#] available only in round version
[#] in class A and B available also in size d1 Ø 460