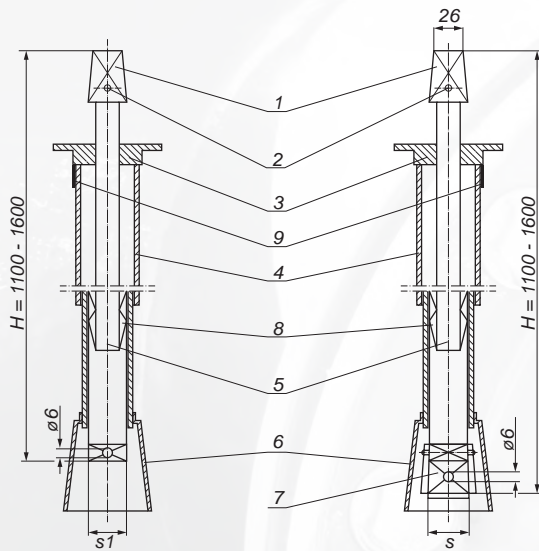


Telescopic spindle for valves and spotting drills

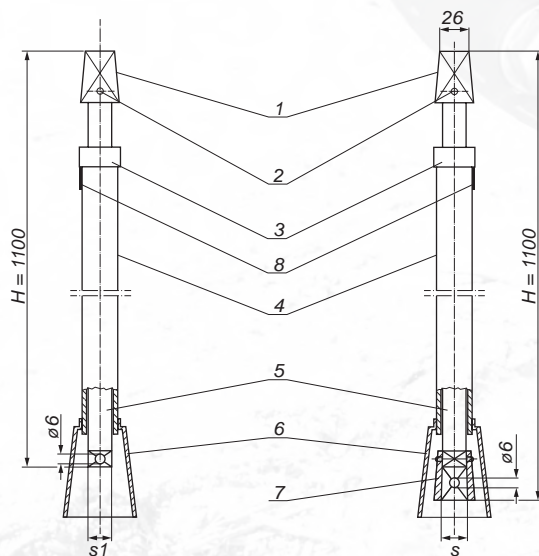


The spindle's length can be built in according to the order.
Other dimensions „s” are according to the order.
Optionally can be made in galvanized version.

No.	Description	Material
1.	Upper cap	EN-GJL-250/EN-GJS-500-7
2.	Rivet	Steel
3.	Collar	HDPE
4.	Shield pipe	PE
5.	Telescopic rod	Steel/Galvanized steel
6.	Lower shield	HDPE
7.	Lower cap	EN-GJL-250/EN-GJS-500-7
8.	Locking clutch	St 2
9.	Spring pin	Steel A2/Galvanized steel

Valve size (DN)	s	Lenght [mm]	Weight
20/25/32	12	1100-1600	3,50
20/25/32/40/50	14		3,70
65/80	17		3,70
100/125/150	19		3,70
200	24		4,70
250/300	27		6,70
PE valve	52	600-1100	2,80
Description	S1	Lenght [mm]	Weight
Telescopic spindle for spotting drill NS	rod 14	1100-1600	3,20

Fixed spindle for valves and spotting drills



The spindle's length can be built in according to the order.
Other dimensions „s” are according to the order.
Optionally can be made in galvanized version.

No.	Description	Material
1.	Upper cap	EN-GJL-250/EN-GJS-500-7
2.	Rivet	Steel
3.	Collar	HDPE
4.	Shield pipe	PE
5.	Rod	Steel/Galvanized steel
6.	Lower shield	HDPE
7.	Lower cap	EN-GJL-250/EN-GJS-500-7
8.	Spring pin	Steel A2/Galvanized steel

Valve size (DN)	s	Lenght [mm]	Weight
20/25/32	12	1100	2,90
20/25/32/40/50	14		3,10
65/80	17		3,10
100/125/150	19		3,10
200	24		4,10
250/300	27		6,10
PE valve	52	600	2,40
Description	S1	Lenght [mm]	Weight
Fixed spindle for spotting drill NS	rod 14	1100	2,60