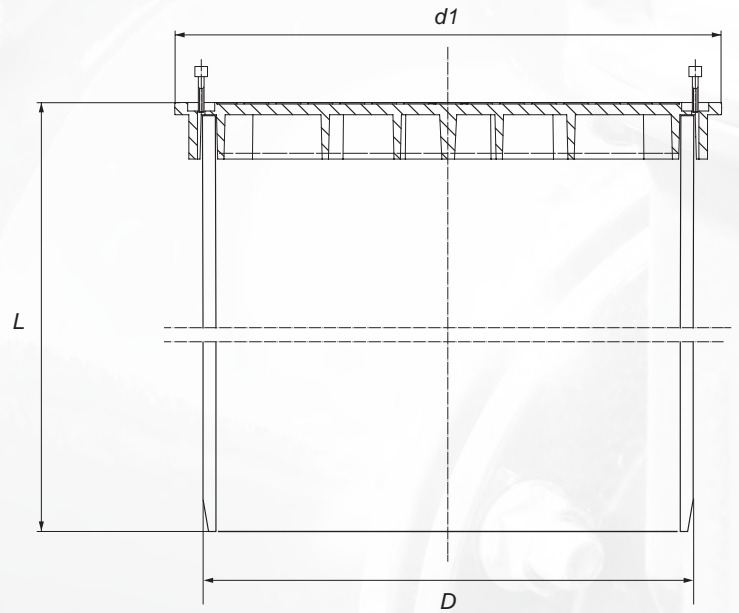
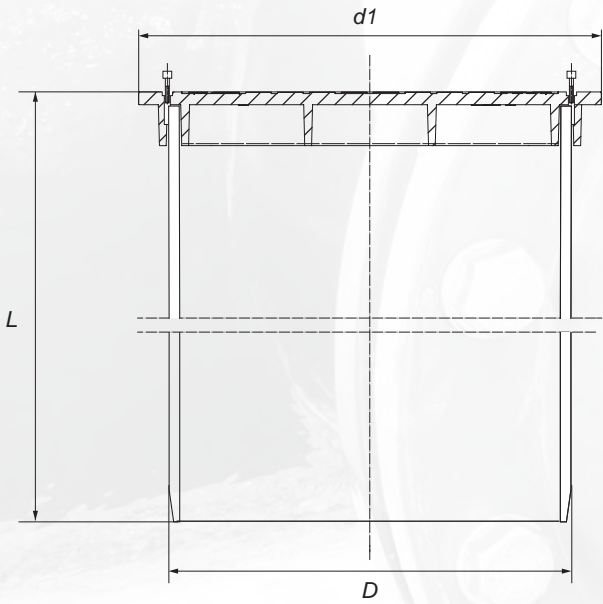


## Telescope 315 and 425 with PP cover



Is used as a top part of inspection chamber 315 and 425 in places intended only for pedestrian and bicycle traffic.

No.	Description	Material
1.	Lid	polipropylen (PP)
2.	Pipe	PVC 315 i 396
3.	Allen screw	Galvanized steel 8.8 class/ Stainless steel A2

Type	Telescopic pipe	Load	Class	D	L	d1	Weight
TPG	smooth pipe 315	1,5 T	A 15	315	500	360	6,00
TPGW	smooth pipe 400	1,5 T	A 15	396	500	445	7,50

Norm: PN-EN 124-2