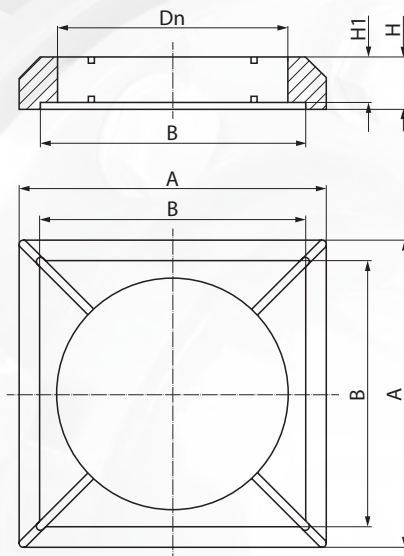


## Composite elements

No.	Description	Dn	A	B	H	H1	Weight
1.	Universal supporting pad under the manhole body 355/355	330	420	357	100	87	10,40

Universal manhole and support adapter for DN315 telescope manholes with square load-bearing bodies with external flange dimensions of 355x355x13mm and class B125 and D400. Adapter is placed directly under the body of cast-iron manhole and placed in the load-bearing structure of the road. In the bituminous surface, the sloped side is the manhole supporting side and in the paving surface the cover is placed in the cover cavity of the adapter - square side. Adapter facilitates the placement and assembly of manholes. It is placed on a cement foundation in the paving surface. Making a correct filling in the bituminous surface and concentration of bituminous layer under the adapter is necessary.



TXO/315/N355U

**Material:** composition of thermoplastic polymers (PVC, PE, PEX)  
**Compressive strength:** 400 kN in accordance with PN-EN 124-1:2015-07  
**Impregnability:** 0,02% in accordance with PN-EN ISO 62:2008  
**Frost resistance in water:** F150 (without changing the strength and surface structure)  
**Frost resistance in 2% NaCl solution:** F50 (without changing the strength and surface structure)  
**Thermal resistance:** from -30°C to + 60°C (in continuous operation)  
 and up to 180°C during installation in asphalt surface  
**Certificate:** IBDiM-KOT-2017/0047