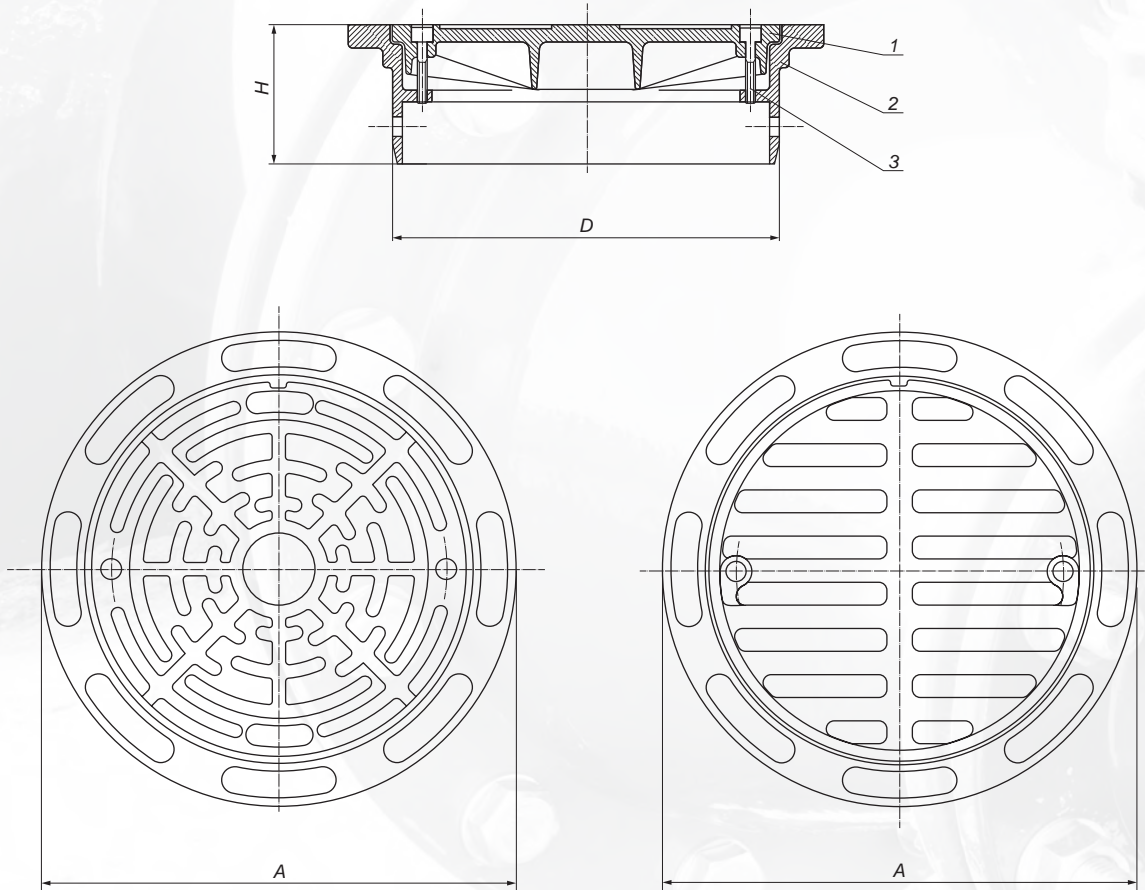


Cover and grate for 425 pipe



| No. | Description | Material |
|-----|-------------|--|
| 1. | Lid* | EN-GJL-250 |
| 2. | Body | EN-GJL-250 |
| 3. | Allen screw | Ocynk klasa 8.8/ stal nierdzewna A2 |

| Lid type | Load | Class | A | D | H | Weight |
|----------|--------|-------|-----|-----|-----|--------|
| Cover | 1,5 T | A 15 | 500 | 416 | 100 | 23,00 |
| | 12,5 T | B 125 | | | | 31,00 |
| | 25 T | C 250 | | | | 33,00 |
| | 40 T | D 400 | | | | 33,00 |
| Grate | 1,5 T | A 15 | 500 | 416 | 100 | 22,50 |
| | 12,5 T | B 125 | | | | 30,50 |
| | 25 T | C 250 | | | | 32,50 |
| | | D 400 | | | | 32,50 |

* C 250, D 400 class - ductile iron EN-GJS-500-7, PN-EN 1563:2018.
Coating: bitumen paint.

Norm: PN-EN 124-2