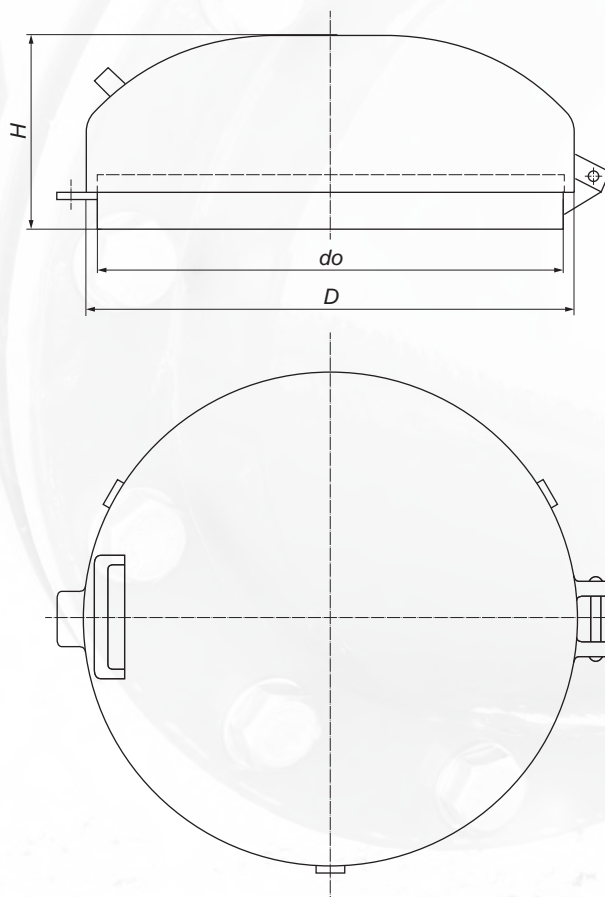


Steel cover 600



*It is used as a top of chambers.
Equipped with additional lock system.*

*Coating: bitumen paint
Material: steel St 2*

<i>H</i>	<i>do</i>	<i>D</i>	<i>H</i>	<i>Weight</i>
240	580	610	120	14,00