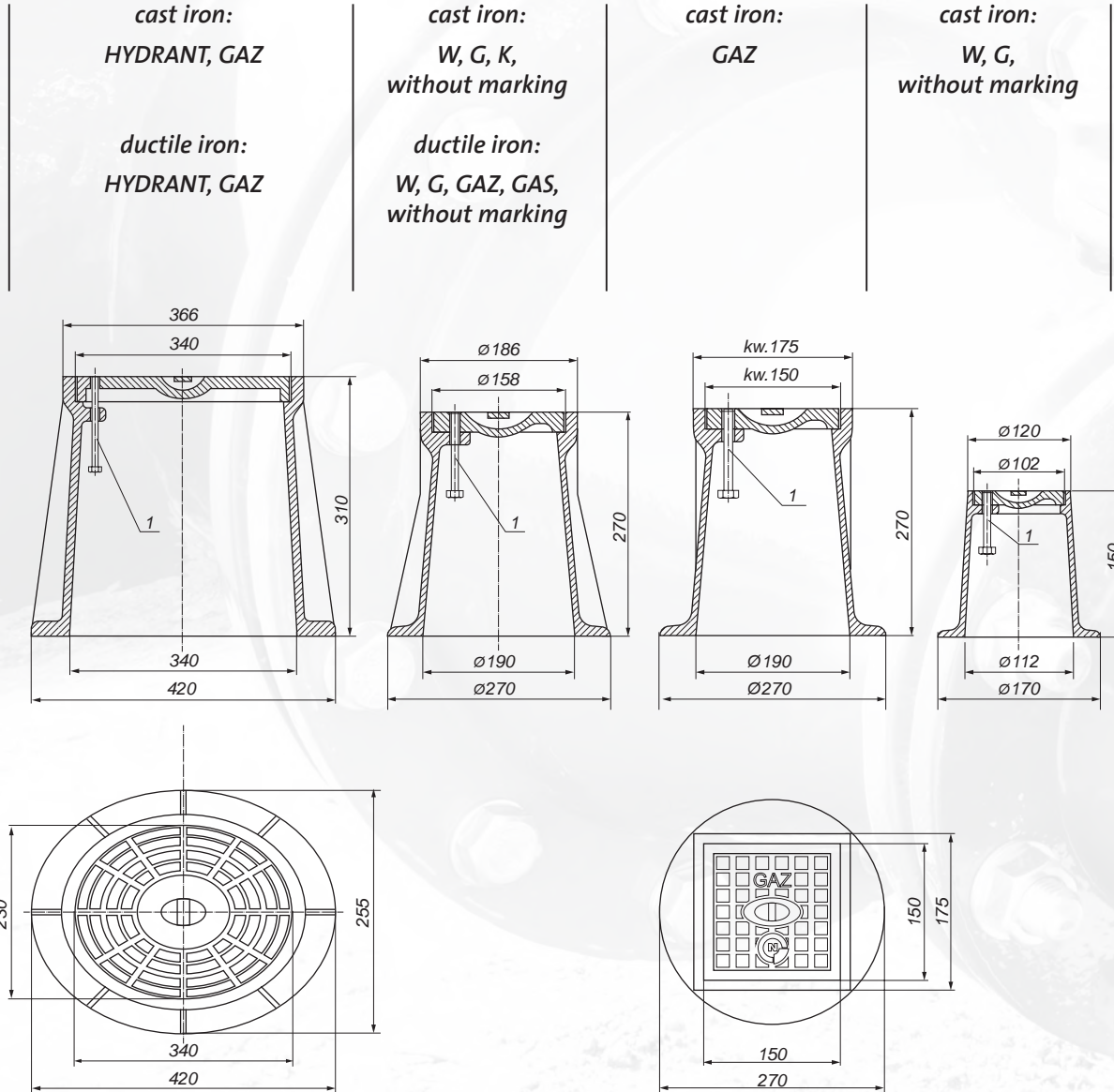


Street box HDPE with cast iron lid

Material and marking of box covers



Material:
body: HDPE
 cover - cast iron EN-GJL-250, PN-EN 1561:2012
 cover - ductile iron EN-GJS-500-7, PN-EN 1563:2018

* Cover available with a yellow lid.

** Body and lid of HDPE in yellow

1) screw – galvanized steel 8.8/stainless steel A2

| Description | Height | Weight |
|---|--------|--------|
| Street box for connector 90* | 150 | 2,10 |
| Street box for valve fig. 4056 round* | 270 | 4,00 |
| Street box for valve fig. 4056 round** | 270 | 2,00 |
| Street box for valve fig. 3581 square* | 270 | 4,00 |
| Street box for hydrant DN80 and DN100 „NORSON” fig. 4055* | 310 | 12,00 |